

DELAY RELAY UNIT WITH PULSER

The Delay relay unit is designed to delay signals, to provide a 2-stage output (pulsing followed by constant-on) or to pulse continuously depending on requirement. The unit is suitable for direct connection to a monitored alarm line and is universally compatible. It can be used for interlinking and for control applications located remotely from the host control panel. The delay period can be set to allow for investigation and for overriding signals such as class-change signals in schools.

APPLICATION

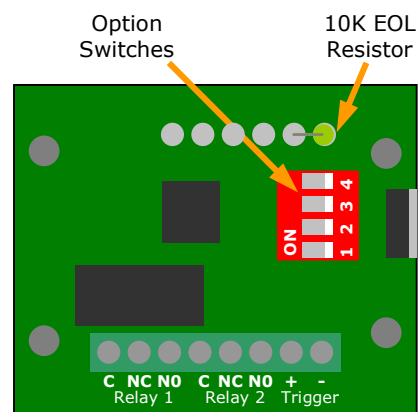
The delay relay unit is suited to a wide variety of applications ranging from bomb alerts to two stage alarms and staff alarms. The unit can be used to block or discriminate between signals when interlinking panels e.g. in order to pass class change and zonal signalling on one pair of wires.

OPERATION

Application of 24 - 28 volts DC to the trigger input starts the timer. After a pre-set delay, the relay turns on and its contacts will change over. The output can be set to remain off, or pulse during the delay period. The delay time is set by option switches **1**, **2** and **3**, as indicated in the following table.

0 - OFF, 1 - ON:

Approx time	Sw 1	Sw 2	Sw 3
5 sec	0	0	0
15 sec	0	0	1
30 sec	0	1	0
1 min	0	1	1
2 min	1	0	0
3 min	1	0	1
4 min	1	1	0
6 min	1	1	1



Switch **4** is the pulsing option switch.

With switch 4 OFF, following application of the input signal, the relay output of the unit remains off until the set time period has elapsed, at which time it will turn on constantly. With switch 4 ON and the unit set for a time delay of *between 15 seconds and 4 minutes*, following application of the input signal, the relay output of the unit pulses at a rate of 2Hz (1 second on/1 second off) until the set time period has elapsed, at which time it will turn on constantly.

Note, for continuous pulsing as long as an input is applied, with no switch-over to constant after any time, set all four option switches ON.

SPECIFICATIONS

Input voltage	20 - 28Vdc, polarised
Input current	10 - 12mA during delay, 30 - 35mA with relay energised
Output contacts	2 x voltage free changeover, 30Vdc 2A max
Delay period	5 seconds to 6 minutes normally 15 seconds to 4 minutes when pulsing option selected
Pulsing style	2Hz, 50% duty (1 second ON, 1 second OFF)
Compatibility	Universal
Unboxed board	62 x 52mm, self adhesive mounts supplied
Boxed option	Metal, cream powdercoat finish, 104 x 104 x 46mm

ORDER CODE

DRUP	Delay Relay Unit with Pulser
-------------	------------------------------